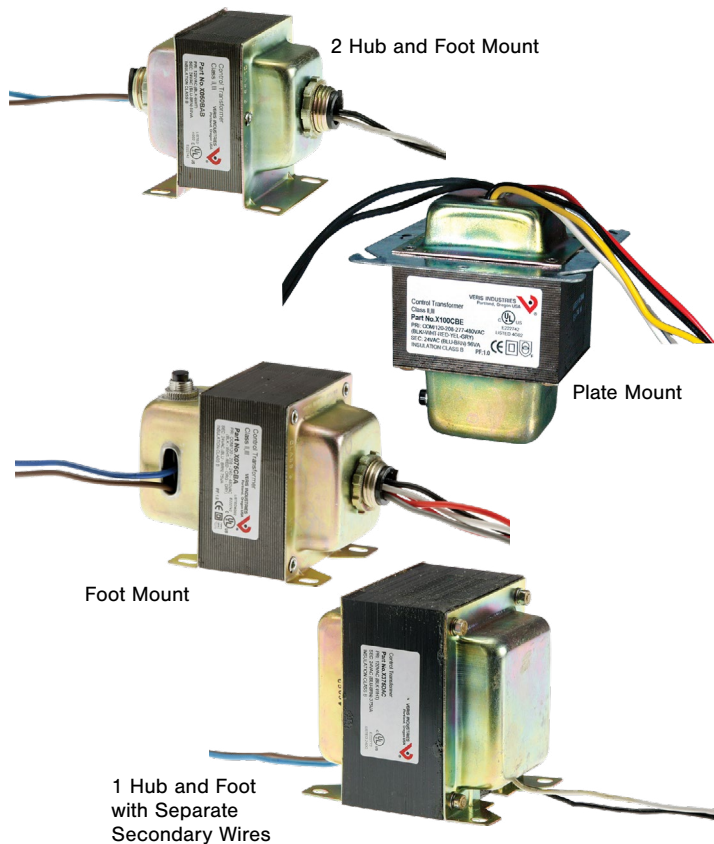


Control Transformers

X Series



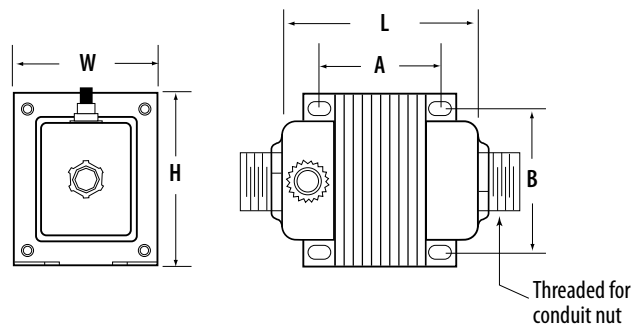
SPECIFICATIONS



Frequency	50/60Hz
Operating Temperature	-40° to 65°C (-40° to 149°F)
No Load Voltage	27-28VAC
Hub Style	Fits 1/2" electrical k.o.
Wire	UL 1015, 18 AWG*
Wire Length	8 inches

*X085AAA, X375DAC have 14AWG secondary wires.

DIMENSIONAL DRAWING



FEATURES

- UL listings for all models simplify panel building requirements
- Threaded hub options maximize installation flexibility
- One stop shopping...save time by ordering along with other Veris products

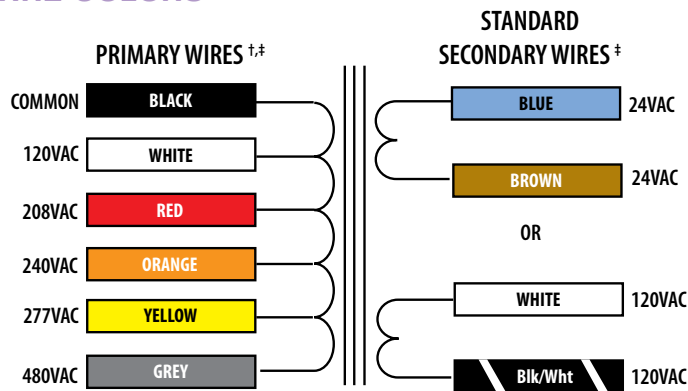
DESCRIPTION

Veris X Series Control Transformers are a convenient source of control power for HVAC control and building automation applications. A wide variety of UL-listed transformers are available with single and dual threaded hub mounting options. Multiple current limiting options are available, including a circuit breaker in some models. Save ordering time and purchase order costs when buying other Veris sensors by including transformers in your order.

APPLICATIONS

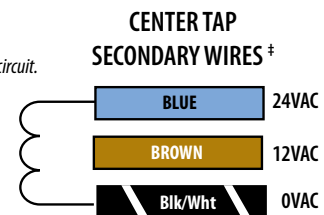
- Controller power
- Driving relays and other digital I/O circuits
- Powering sensors

WIRE COLORS



† Primary of 24V isolation transformers = Red/Red

‡ Colors refer to the transformer wiring, not the external circuit.



ORDERING INFORMATION



MODEL	VA	PRIMARY VOLTAGE (VAC)	SECONDARY VOLTAGE (VAC)	CURRENT LIMITING METHOD	CLASS	MOUNTING	SEPARATED PRIMARY & SECONDARY WIRES	UL	CE	L	W	H	A	B
STANDARD														
X020AAA	20	120	24	Inherent	2	1HUB+FT		●	●	2.3	1.9	2.6	1.59	1.69
X020ACA		277		Inherent	2	1HUB+FT		●	●	2.3	1.9	2.6	1.59	1.69
X020ADA		24		Inherent	General	1HUB+FT		●	●	2.3	1.9	2.6	1.59	1.69
X020ADB	24	Inherent		General	2HUB+FT	●	●	●	2.3	1.9	2.6	1.59	1.69	
X040AAA	40	120		Inherent	2	1HUB+FT		●	●	2.7	2.2	2.9	1.98	1.81
X040AAB		120		Inherent	2	2HUB+FT	●	●	●	2.7	2.2	2.9	1.98	1.81
X040ACA		277	Inherent	2	1HUB+FT		●	●	2.7	2.2	2.9	1.98	1.81	
X040ADA		24	Inherent	2	1HUB+FT		●	●	2.7	2.2	2.9	1.98	1.81	
X040AMB		120/208/240/277	Fuse	2	2HUB+FT	●	●	●	2.7	2.2	2.9	1.98	1.81	
X040BNA		120/208/240	Fuse	2	1HUB+FT		●	●	2.7	2.2	2.9	1.98	1.81	
X040BPC	24	12/24	Fuse	2	Foot	●	●	●	2.7	2.2	2.9	1.98	1.81	
X050BAA	50	120	24	Fuse	2	1HUB+FT		●	●	2.8	2.2	2.9	2.06	1.81
X050BAB		120		Fuse	2	2HUB+FT	●	●	●	2.8	2.2	2.9	2.06	1.81
X050BCA		277		Fuse	2	1HUB+FT		●	●	2.8	2.2	2.9	2.06	1.81
X050BCB		277		Fuse	2	2HUB+FT	●	●	●	2.8	2.2	2.9	2.06	1.81
X050BGB		208/240		Fuse	2	2HUB+FT	●	●	●	2.8	2.2	2.9	2.06	1.81
X050CAA		120		Circuit Breaker	2	1HUB+FT		●	●	3.5	2.5	3.1	1.91	2.03
X050CBA		120/240/277/480	Circuit Breaker	2	1HUB+FT		●	●	3.5	2.5	3.1	1.91	2.03	
X050CBB		120/240/277/480	Circuit Breaker	2	2HUB+FT	●	●	●	3.5	2.5	3.1	1.91	2.03	
X050CCA		277	Circuit Breaker	2	1HUB+FT		●	●	3.5	2.5	3.1	1.91	2.03	
X050CEB		208/240/277/480	Circuit Breaker	General	2HUB+FT	●	●	●	3.5	2.5	3.1	1.91	2.03	
X050CEG	208/240/277/480	120	Circuit Breaker	General	Plate, 90° Sec Elbow	●	●	●	3.5	4.0	4.0	3.38	3.38	
X050CGG	208/240	Circuit Breaker	2	Plate, 90° Sec Elbow	●	●	●	4.0	4.0	4.0	3.38	3.38		
X050CHA	120/208/240/480	Circuit Breaker	2	1HUB+FT		●	●	3.5	2.5	3.1	1.91	2.03		
X050CHB	120/208/240/480	Circuit Breaker	2	2HUB+FT	●	●	●	3.5	2.5	3.1	1.91	2.03		
X050CNA	120/208/240	Circuit Breaker	2	1HUB+FT		●	●	3.5	2.5	3.1	1.91	2.03		
X050CNB	120/208/240	Circuit Breaker	2	2HUB+FT	●	●	●	3.5	2.5	3.1	1.91	2.03		
X050COA	120/208/240/277/480	Circuit Breaker	2	1HUB+FT		●	●	3.5	2.5	3.1	1.91	2.03		
X050COB	120/208/240/277/480	Circuit Breaker	2	2HUB+FT	●	●	●	4.3	2.5	3.1	2.70	2.00		
X050DLB	220	None	2	2HUB+FT	●	●	●	2.8	2.2	2.9	2.06	1.81		
X075CAA	75	120	24	Circuit Breaker	2	1HUB+FT		●	●	3.9	2.5	3.1	2.31	2.03
X075CAB		120		Circuit Breaker	2	2HUB+FT	●	●	●	3.9	2.5	3.1	2.31	2.03
X075CBA		120/240/277/480		Circuit Breaker	2	1HUB+FT		●	●	3.9	2.5	3.1	2.31	2.03
X075CCA		277		Circuit Breaker	2	1HUB+FT		●	●	3.9	2.5	3.1	2.31	2.03
X075CHA		120/208/240/480		Circuit Breaker	2	1HUB+FT		●	●	3.9	2.5	3.1	2.31	2.03
X075CHD		120/208/240/480		Circuit Breaker	2	1HUB+FT		●	●	3.9	2.5	3.1	2.31	2.03
X085AAA	85	120		Inherent	General	1HUB+FT		●	●	3.2	3.8	3.2	2.2	3.14
X100CAA	99	120	120	Circuit Breaker	2	1HUB+FT		●	●	4.1	2.5	3.1	2.51	2.03
X100CAB		120		Circuit Breaker	2	2HUB+FT	●	●	●	4.1	2.5	3.1	2.51	2.03
X100CBA		120/240/277/480		Circuit Breaker	2	1HUB+FT		●	●	4.3	2.5	3.1	2.70	2.03
X100CBB		120/240/277/480		Circuit Breaker	2	2HUB+FT	●	●	●	4.3	2.5	3.1	2.70	2.03
X100CBE		120/208/277/480		Circuit Breaker	2	Plate		●	●	4.3	4.0	4.0	3.38	3.38
X100CHB		120/208/240/480		Circuit Breaker	2	2HUB+FT	●	●	●	4.3	2.5	3.1	2.70	2.03
X100CKB		480		Circuit Breaker	General	2HUB+FT	●	●	●	4.1	2.5	3.1	2.51	2.03
X100CLB	220	Circuit Breaker	2	2HUB+FT	●	●	●	4.1	2.5	3.1	2.51	2.03		
X150CAA	150	120		Circuit Breaker	General	1HUB+FT		●	●	3.5	3.8	3.2	2.08	3.26
X175BAB	175	120	24	Fuse	General	2HUB+FT	●	●	●	4.1	3.8	3.2	3.19	3.14
X175BLB		220		Fuse	General	Foot	●	●	●	3.8	3.8	3.2	3.05	3.14
X175CAB		120		Circuit Breaker	General	2HUB+FT	●	●	●	4.1	3.8	3.2	3.19	3.14
X175CLB		220		Circuit Breaker	General	Foot	●	●	●	3.8	3.8	3.2	3.05	3.14
X175DGC		208/240		None	General	Foot	●	●	●	4.1	3.8	3.2	3.19	3.14
X240DAA		240		120		None	General	1HUB+FT	●	●	●	3.7	3.8	4.5
X375DAC	375	120		None	General	Foot	●	●	●	4.3	3.8	4.5	3.83	3.18
CENTER TAP														
X020APC	20	24	12/24	Inherent	2	Foot	●	●	●	2.3	1.9	2.6	1.59	1.69
X020AQC		120/208/240		Inherent	2	Foot	●	●	●	2.3	1.9	2.6	1.59	1.69
X040BPC	40	24		Fuse	2	Foot	●	●	●	2.7	2.2	2.9	1.98	1.81
X040BQC		120/208/240		Fuse	2	Foot	●	●	●	2.7	2.2	2.9	1.98	1.81
X050CIA	50	120		Circuit Breaker	2	1HUB+FT	●	●	●	2.8	2.2	2.9	2.06	1.81
X100CRC	100	120/240		Circuit Breaker	2	1HUB+FT	●	●	●	4.3	2.5	3.1	2.70	2.03
X100CSC			16/32	Circuit Breaker	2	1HUB+FT	●	●	●	4.3	2.5	3.1	2.70	2.00